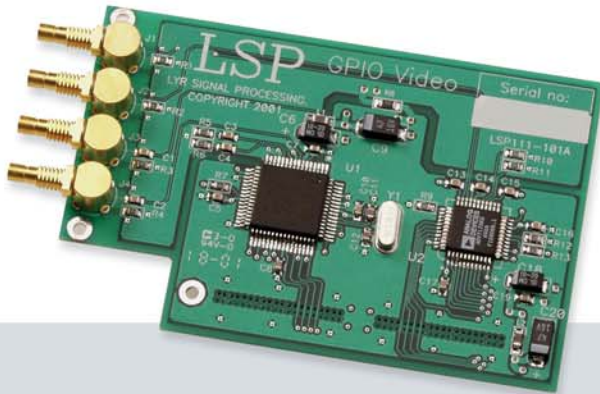


Infinite possibilities...



GPIO-VIDEO GPIO NTSC/PAL Video Card

OVERVIEW

The GPIO-Video module allows users to develop and test high performance FPGA/DSP-based video algorithms. The module form-factor is proprietary to Lyrtech and will fit onto the company's, C67x-based and phased-out SignalMaster platform's General-Purpose I/O (GPIO) connectors.

POWERFUL PROCESSING

The module features 2 NTSC/PAL inputs and outputs and supports most video formats. The module is connected to the SignalMaster's FPGA and is integrated with Lyrtech's VideoLink framework, a pre-package video processing architecture.

APPLICATIONS

- Video conferencing
- Video processing

TECHNICAL SPECIFICATIONS

SAA7111 Video Input Processor

- Two 8-bit Video CMOS ADC's
- Automatic Detection of PAL or NTSC Standards
- Digital Data Output Format
- 422 YUV [CCIR-656] (8-bit)
- 565 RGB (16-bit) with dither
- 888 RGB (24-bit) with special applications

ADV7170 NTSC/PAL Video Encoder

- Four High Quality 10-bit Video DAC's
- 80-dB Video SNR
- Multistandard video output
- Composite
- 422 YUV (16-bit)

Development Tools

- C-Coded low-level drivers
- MATLAB®/Simulink Blocksets
- Lyrtech's VideoLink Framework

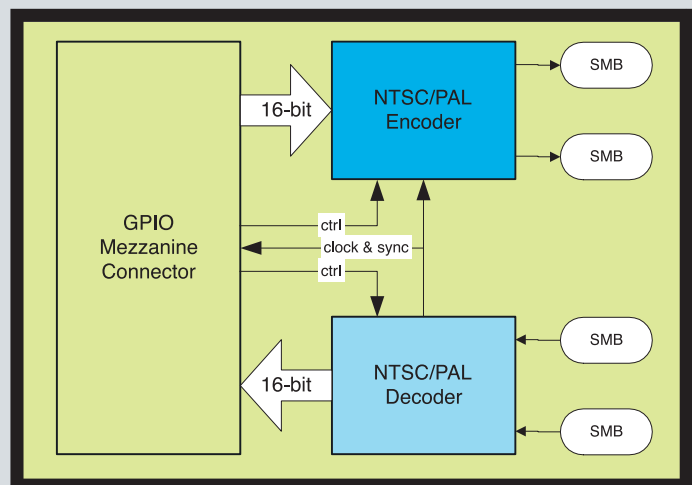
HIGHLIGHTS

- SAA7111 Video Input Processor
- ADV7170 NTSC/PAL Video Encoder
- 2 Input SMB connectors (Composite)
- 2 Output SMB connectors (Composite)

KEY FEATURES & BENEFITS

- Low- and High-Level drivers for appropriate development approach.
- High-Level Simulink Blocksets include control tools for the sampling frequency & frame size.
- Communication interface allowing interactive parameters modification without interrupting the DSP application.
- Help files, tutorials, demos and documentation for quick start.

BLOCK DIAGRAM



CONTACT US FOR MORE INFORMATION AT:

Lyrtech Headquarter - International

4495 Wilfrid-Hamel Blvd, Suite 100
Quebec City, Quebec G1P 2J7 CANADA

Phone: 1 (418) 877-4644 (Worldwide)
1 (888) 922-4644 (Toll free USA and Canada)

Fax: 1 (418) 877-7710

Lyrtech USA

945 Concord Street
Framingham, Massachusetts 01701 USA

Phone: 1 (508) 620-4595

Fax: 1 (508) 848-8008

OR VISIT OUR WEB SITE:
www.lyrtech.com

ABOUT US

Lyrtech (www.lyrtech.com) is a recognized player in the worldwide digital signal processing (DSP) market with more than 20 years of experience in the delivery of advanced technology solutions in Asia, Europe and the Americas. Lyrtech is the one-stop place for electronic design, prototyping, manufacturing and delivery of a full range of value-added products and services, which range from off-the-shelf DSP/FPGA development platforms to turnkey project solutions and electronic manufacturing services (EMS). The company works in partnership with industry leaders such as Altera, StarCore, Texas Instruments, The MathWorks, and Xilinx. Lyrtech delivers unsurpassed quality and support to its large OEMs customer base, which includes many prestigious names such as Nokia, Nortel, Fujitsu, Sony, GM, Honeywell, Toyota, Honda, BAE Systems and EADS.

This product is a trademark of Lyrtech. All other products or services mentioned in this document are identified by the trademarks, registered marks, or product names as designated by the companies who market those products. The trademarks and registered trademarks are held by the companies producing them. Inquiries concerning such trademarks should be made directly to those companies.

Lyrtech has made every effort to ensure that the information contained in this specification sheet is accurate. However, we accept no responsibility for any errors or omissions, and we reserve the right to modify design, characteristics and products at any time without obligation. Contact Lyrtech for prices and availability or to obtain the phone number of your local Lyrtech distributor. For the most recently updated version of this spec sheet, please go to the Lyrtech Web site at <http://www.lyrtech.com>. The web version takes precedence over any printed literature.

05.2005



© 2004 Lyrtech Inc. All rights reserved.